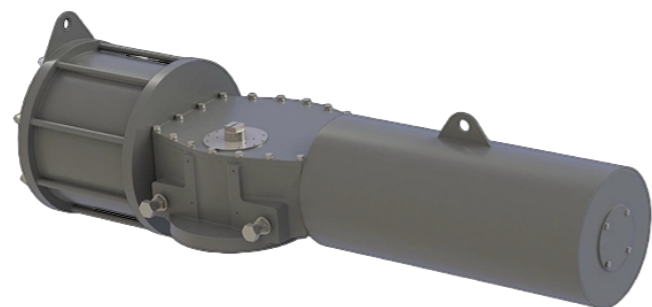


UP 气动执行器

UP Pneumatic actuators



UP系列执行机构，通用于一般以90°旋转的阀门。例如：球阀、蝶阀、旋转阀等开关或调节流量的功能。

UP系列分对称和倾斜两种设计。对称式在0°到90°时输出扭矩最大，中间位置输出扭矩最小。以输正对应于球阀类产生的扭矩特性。倾斜式可出更大的起始扭矩，更适合蝶阀类的扭矩特性。

坚固的碳钢外壳和高强度合金钢拨叉确保运行安全可靠。缸体内壁采用镀硬铬工艺，保证更长的使用寿命。机架没有压力，减少泄露点，简化了维护。

模块化设计和结构可在安装、维修和存储方面提供最大化便利。本质安全的弹簧包确保高效的工作和安全的维护，防止因螺栓腐蚀而导致的意外危险。



UP系列执行机构单作用可以提供最大120000Nm，双作用可以提供最大240000Nm的扭矩输出。
最大工作压力8Bar。

不锈钢行程限位器让行程在82°和98°之间精确调整。

工作温度：-40°C~150°C

认证标准：PED 97/23/EC

ATEX 94/9/EC

机械标准 2006/42/EC

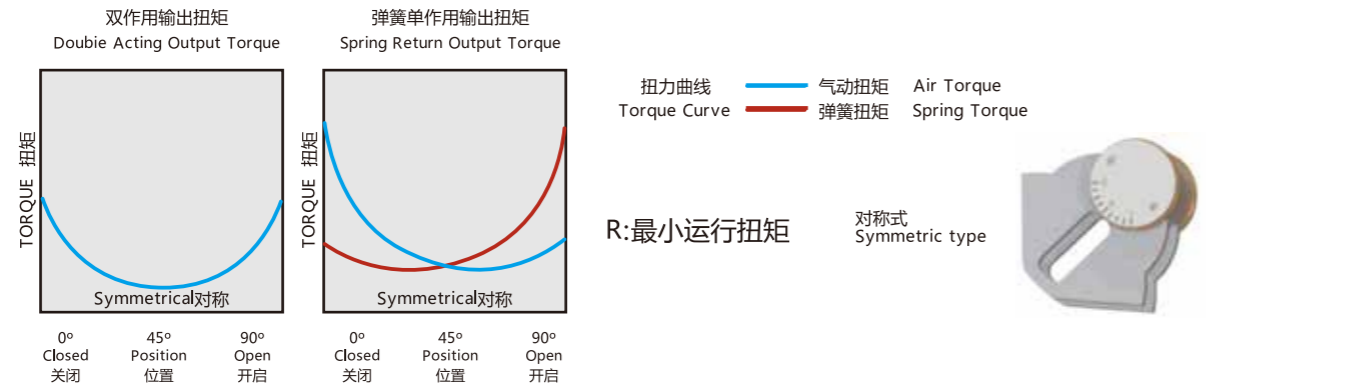
遵照IEC/EN 60529·IP66/67M

作为一个“单一设备”达到SIL3(IEC 61508)标准

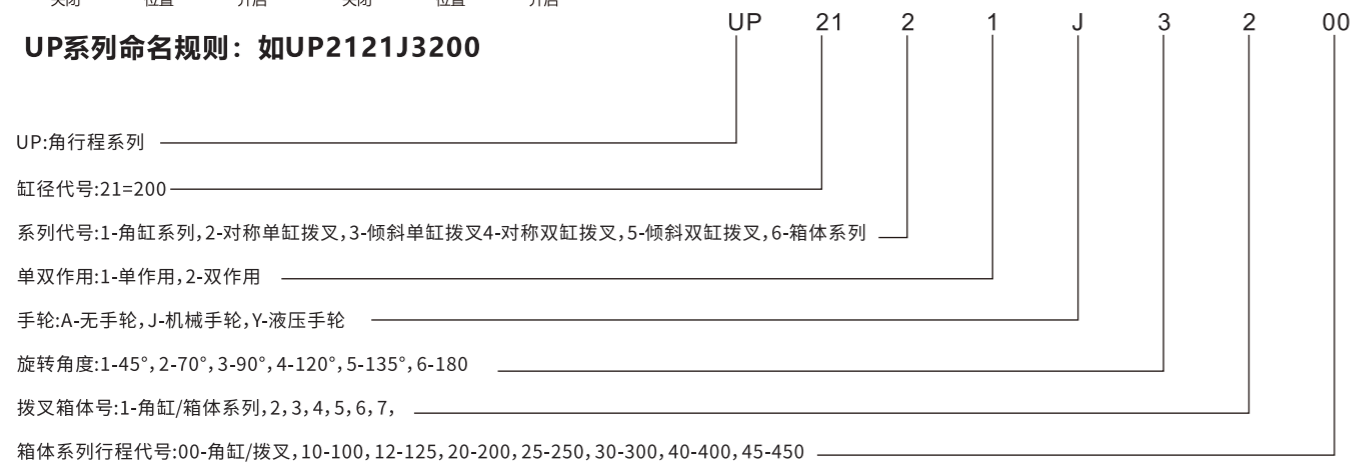
根据EN15714-3设计和测试

型号说明

Model specification



UP系列命名规则: 如UP2121J3200



对称双作用

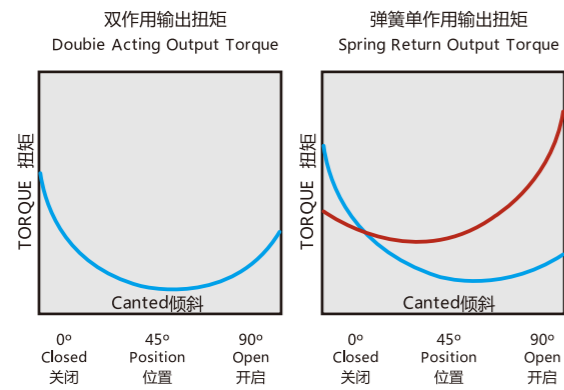
| 型号MODEL | 4.0BAR | | | 5.0BAR | | |
|-------------|--------|-------|-------|--------|-------|-------|
| | 0° | R | 90° | 0° | R | 90° |
| UP2122J3200 | 1460 | 908 | 1403 | 1827 | 1135 | 1755 |
| UP2622J3200 | 2284 | 1419 | 2226 | 2855 | 1773 | 2783 |
| UP3122J3200 | 3289 | 2043 | 3231 | 4111 | 2554 | 4039 |
| UP3622J3200 | 4477 | 2781 | 4419 | 5596 | 3476 | 5524 |
| UP3622J3300 | 5419 | 3366 | 5262 | 6774 | 4208 | 6577 |
| UP3922J3300 | 6388 | 3968 | 6231 | 7985 | 4960 | 7788 |
| UP4422J3300 | 8180 | 5081 | 8022 | 10225 | 6351 | 10028 |
| UP4422Y3400 | 10492 | 6517 | 10217 | 13115 | 8146 | 12772 |
| UP4922Y3400 | 13074 | 8120 | 12799 | 16342 | 10150 | 15999 |
| UP5422Y3400 | 15939 | 9900 | 15665 | 19924 | 12375 | 19581 |
| UP5422Y3500 | 19586 | 12165 | 19143 | 24483 | 15207 | 23928 |
| UP5922Y3500 | 23456 | 14569 | 23013 | 29320 | 18211 | 28766 |

| 型号MODEL | 4.0BAR | | | 5.0BAR | | |
|-------------|--------|-------|--------|--------|--------|--------|
| | 0° | R | 90° | 0° | R | 90° |
| UP6422Y3500 | 27675 | 17189 | 27231 | 34593 | 21486 | 34039 |
| UP6422Y3600 | 34546 | 21457 | 33682 | 43182 | 26821 | 42102 |
| UP6922Y3600 | 40247 | 24998 | 39383 | 50308 | 31247 | 49228 |
| UP7422Y3600 | 46383 | 28809 | 45519 | 57978 | 36011 | 56899 |
| UP6922Y3700 | 53628 | 33104 | 52468 | 67035 | 41380 | 65585 |
| UP7422Y3700 | 61804 | 38151 | 60645 | 77255 | 47688 | 75806 |
| UP8122Y3700 | 74225 | 45818 | 73066 | 92781 | 57272 | 91332 |
| UP8122Y3800 | 98968 | 61092 | 97097 | 123710 | 76365 | 121371 |
| UP9122Y3800 | 125257 | 77319 | 123385 | 156571 | 96648 | 154231 |
| UP9922Y3800 | 154638 | 95456 | 152767 | 193297 | 119320 | 190958 |

| 型号MODEL | 6.0BAR | | | 8.0BAR | | |
|-------------|--------|--------|--------|--------|--------|--------|
| | 0° | R | 90° | 0° | R | 90° |
| UP2122J3200 | 2193 | 1362 | 2106 | 2924 | 1816 | 2807 |
| UP2622J3200 | 3426 | 2128 | 3339 | 4568 | 2837 | 4452 |
| UP3122J3200 | 4934 | 3064 | 4847 | 6578 | 4086 | 6462 |
| UP3622J3200 | 6715 | 4171 | 6628 | 8954 | 5561 | 8838 |
| UP3622J3300 | 8129 | 5049 | 7893 | 10839 | 6732 | 10524 |
| UP3922J3300 | 9582 | 5952 | 9346 | 12777 | 7936 | 12461 |
| UP4422J3300 | 12270 | 7621 | 12034 | 16360 | 10162 | 16045 |
| UP4422Y3400 | 15738 | 9775 | 15326 | 20984 | 13033 | 20435 |
| UP4922Y3400 | 19610 | 12180 | 19199 | 26147 | 16241 | 25559 |
| UP5422Y3400 | 23909 | 14850 | 23497 | 31878 | 19800 | 31330 |
| UP5422Y3500 | 29379 | 18248 | 28714 | 39173 | 24331 | 38285 |
| UP5922Y3500 | 35184 | 21584 | 34519 | 46912 | 29138 | 46025 |
| UP6422Y3500 | 41512 | 25784 | 40847 | 55349 | 34378 | 54462 |
| UP6422Y3600 | 51818 | 32185 | 50523 | 69091 | 42914 | 67364 |
| UP6922Y3600 | 60370 | 37497 | 59074 | 80493 | 49996 | 78766 |
| UP7422Y3600 | 69574 | 43124 | 68278 | 92765 | 57618 | 91038 |
| UP6922Y3700 | 80442 | 49656 | 78702 | 107256 | 66208 | 104936 |
| UP7422Y3700 | 92706 | 57226 | 90967 | 123608 | 76302 | 121290 |
| UP8122Y3700 | 111337 | 68727 | 109599 | 148450 | 91636 | 146132 |
| UP8122Y3800 | 148452 | 91638 | 145645 | 197936 | 122184 | 194194 |
| UP9122Y3800 | 187885 | 115978 | 185077 | 250514 | 154638 | 246770 |
| UP9922Y3800 | 321957 | 143184 | 229150 | 309276 | 190912 | 305534 |

对称单作用

| 型号MODEL | | 弹簧扭矩Spring Torque | | | 气源压力Air Torque : Air Supply Pressure | | | | | | | | | | | |
|-------------|---|-------------------|-------|--------|--------------------------------------|-------|-------|--------|-------|-------|--------|-------|--------|--------|--------|--------|
| | | | | | 4.0BAR | | | 5.0BAR | | | 6.0BAR | | | 8.0BAR | | |
| | | 0° | R | 90° | 0° | R | 90° | 0° | R | 90° | 0° | R | 90° | 0° | R | 90° |
| UP2121J3200 | A | 602 | 495 | 975 | 858 | 413 | 428 | 1225 | 640 | 780 | 1591 | 867 | 1131 | | | |
| | B | 790 | 650 | 1280 | | | | 1037 | 485 | 475 | 1403 | 712 | 826 | 2134 | 1166 | 1527 |
| UP2621J3200 | A | 913 | 751 | 1479 | 1371 | 668 | 747 | 1942 | 1022 | 1304 | 2513 | 1377 | 1860 | | | |
| | B | 1239 | 1019 | 2007 | | | | 1616 | 754 | 776 | 2187 | 1409 | 1332 | 3329 | 1818 | 2445 |
| UP3121J3200 | A | 1301 | 1080 | 2141 | 1988 | 963 | 1090 | 2810 | 1474 | 1898 | 3633 | 1984 | 2706 | | | |
| | B | 1787 | 1469 | 2894 | | | | 2324 | 1085 | 1145 | 3147 | 1595 | 1953 | 4791 | 2617 | 3568 |
| UP3621J3200 | A | 1628 | 1352 | 2679 | 2849 | 1429 | 1740 | 3968 | 2124 | 2845 | 5087 | 2819 | 3949 | | | |
| | B | 2140 | 1759 | 3466 | | | | 3456 | 1717 | 2058 | 4575 | 2412 | 3162 | 6814 | 3802 | 5372 |
| UP3621J3300 | A | 1803 | 1539 | 3098 | 3616 | 1827 | 2164 | 4971 | 2669 | 3479 | 6326 | 3510 | 4795 | | | |
| | B | 2566 | 2120 | 4189 | | | | 4208 | 2088 | 2388 | 5563 | 2929 | 3704 | 8273 | 4612 | 6335 |
| UP3921J3300 | A | 2480 | 2049 | 4048 | 3908 | 1919 | 2183 | 5505 | 2911 | 3740 | 7102 | 3903 | 5298 | | | |
| | B | 3303 | 2729 | 5391 | | | | 4682 | 2231 | 2397 | 6279 | 3223 | 3955 | 9474 | 5207 | 7070 |
| UP4421J3300 | A | 3049 | 2519 | 4977 | 5131 | 2562 | 3045 | 7176 | 3832 | 5051 | 9221 | 5102 | 7057 | | | |
| | B | 4097 | 3554 | 7223 | | | | 6128 | 2797 | 2805 | 8173 | 4067 | 4811 | 12263 | 6608 | 8822 |
| UP4421Y3400 | A | 4167 | 3569 | 7202 | 6325 | 2948 | 3015 | 8948 | 4577 | 5570 | 11571 | 6206 | 8124 | | | |
| | B | 5436 | 4656 | 9395 | | | | 7679 | 3490 | 3377 | 10302 | 5119 | 5931 | 15548 | 8377 | 11040 |
| UP4921Y3400 | A | 5125 | 4390 | 8857 | 7949 | 3730 | 3942 | 11217 | 5760 | 7142 | 14485 | 7790 | 10342 | | | |
| | B | 6406 | 5582 | 11372 | | | | 9936 | 4568 | 4627 | 13204 | 6598 | 7827 | 19741 | 10659 | 14227 |
| UP5421Y3400 | A | 6214 | 5323 | 10745 | 9275 | 4577 | 4920 | 13710 | 7052 | 8836 | 17695 | 9527 | 12752 | | | |
| | B | 8236 | 7054 | 14234 | | | | 11688 | 5321 | 5347 | 15673 | 7796 | 9263 | 23642 | 12746 | 17096 |
| UP5421Y3500 | A | 7651 | 6505 | 13070 | 11935 | 5660 | 6073 | 16832 | 8702 | 10858 | 21728 | 11743 | 15644 | | | |
| | B | 10204 | 8675 | 17431 | | | | 14279 | 6532 | 6497 | 19175 | 9573 | 11283 | 28969 | 15656 | 20854 |
| UP5921Y3500 | A | 9296 | 7733 | 15538 | 14160 | 6836 | 7475 | 20024 | 10478 | 13228 | 25888 | 14121 | 18981 | | | |
| | B | 12124 | 10308 | 20710 | | | | 17196 | 7903 | 8056 | 23060 | 11546 | 13809 | 34788 | 18830 | 25315 |
| UP6421Y3500 | A | 10971 | 9328 | 18742 | 16704 | 7861 | 8489 | 23622 | 12158 | 15297 | 30541 | 16456 | 22105 | | | |
| | B | 14127 | 12010 | 24132 | | | | 20466 | 9476 | 9907 | 27385 | 13774 | 16715 | 41222 | 22368 | 30330 |
| UP6421Y3600 | A | 13456 | 11608 | 23515 | 21090 | 9849 | 10167 | 29726 | 15213 | 18589 | 38362 | 20577 | 27008 | | | |
| | B | 17092 | 14744 | 29869 | | | | 26090 | 12077 | 12233 | 34726 | 17441 | 20654 | 51999 | 28170 | 37495 |
| UP6921Y3600 | A | 15243 | 13149 | 26637 | 25004 | 11849 | 12746 | 35065 | 18098 | 22591 | 45127 | 24348 | 32437 | | | |
| | B | 20474 | 17662 | 35779 | | | | 29834 | 13585 | 13449 | 39896 | 19835 | 23295 | 60019 | 32334 | 42987 |
| UP7421Y3600 | A | 17816 | 15368 | 31314 | 28567 | 13441 | 14385 | 40162 | 20643 | 25765 | 51758 | 27846 | 37144 | | | |
| | B | 23159 | 19978 | 40471 | | | | 34819 | 16033 | 16428 | 46415 | 23236 | 27807 | 69606 | 37640 | 50567 |
| UP6921Y3700 | A | 20914 | 17545 | 36467 | 32714 | 15559 | 16001 | 46121 | 23835 | 29118 | 59528 | 32111 | 42235 | | | |
| | B | 26143 | 21931 | 45583 | | | | 40892 | 19449 | 20002 | 54299 | 27725 | 33119 | 81113 | 44277 | 59353 |
| UP7421Y3700 | A | 24103 | 20220 | 42026 | 37701 | 17931 | 18619 | 53152 | 27468 | 33780 | 68603 | 37006 | 48941 | | | |
| | B | 30129 | 25274 | 52533 | | | | 47126 | 22414 | 23273 | 62577 | 31952 | 38434 | 93479 | 51028 | 68757 |
| UP8121Y3700 | A | 28947 | 24283 | 50473 | 45278 | 21535 | 22593 | 63834 | 32989 | 40859 | 82390 | 44444 | 59126 | | | |
| | B | 36184 | 30354 | 63091 | | | | 56597 | 26918 | 28241 | 75153 | 38373 | 46508 | 112266 | 61282 | 83041 |
| UP8121Y3800 | A | 38597 | 32378 | 67298 | 60371 | 28714 | 29799 | 85113 | 43987 | 54073 | 109855 | 59260 | 78347 | | | |
| | B | 48246 | 40473 | 84122 | | | | 75464 | 35892 | 37249 | 100206 | 51165 | 61523 | 149690 | 81711 | 110072 |
| UP9121Y3800 | A | 48850 | 40979 | 85174 | 76407 | 36340 | 38211 | 107721 | 55669 | 69057 | 139035 | 74999 | 99903 | | | |
| | B | 61062 | 51223 | 106468 | | | | 95509 | 45425 | 47763 | 126823 | 64755 | 78609 | 189452 | 103415 | 140302 |
| UP9921Y3800 | A | 60308 | 50591 | 105153 | 94330 | 44865 | 47614 | 132989 | 68729 | 85805 | 171649 | 92593 | 123997 | | | |
| | B | 75385 | 63239 | 131441 | | | | 117912 | 56081 | 59517 | 156572 | 79945 | 97709 | 233891 | 127673 | 174093 |



扭力曲线 Torque Curve
 气动扭矩 Air Torque
 弹簧扭矩 Spring Torque



倾斜式 Canted Type

R:最小运行扭矩

倾斜双作用

| 型号MODEL | 4.0BAR | | | 5.0BAR | | |
|-------------|--------|-------|-------|--------|-------|-------|
| | 0° | R | 90° | 0° | R | 90° |
| UP2122J3200 | 1836 | 908 | 1279 | 2295 | 1135 | 1599 |
| UP2622J3200 | 2869 | 1419 | 1999 | 3586 | 1773 | 2499 |
| UP3122J3200 | 4131 | 2043 | 2879 | 5164 | 2554 | 3598 |
| UP3622J3200 | 5623 | 2781 | 3918 | 7028 | 3476 | 4898 |
| UP3622J3300 | 6806 | 3366 | 4743 | 8508 | 4208 | 5929 |
| UP3922J3300 | 8023 | 3968 | 5591 | 10029 | 4960 | 6988 |
| UP4422J3300 | 10273 | 5081 | 7159 | 12842 | 6351 | 8949 |
| UP4422Y3400 | 13177 | 6517 | 9182 | 16471 | 8146 | 11477 |
| UP4922Y3400 | 16419 | 8120 | 11441 | 20524 | 10150 | 14302 |
| UP5422Y3400 | 20018 | 9900 | 13959 | 25023 | 12375 | 17347 |
| UP5422Y3500 | 24598 | 12165 | 17141 | 30748 | 15207 | 21426 |
| UP5922Y3500 | 29459 | 14569 | 20528 | 36823 | 18211 | 25660 |

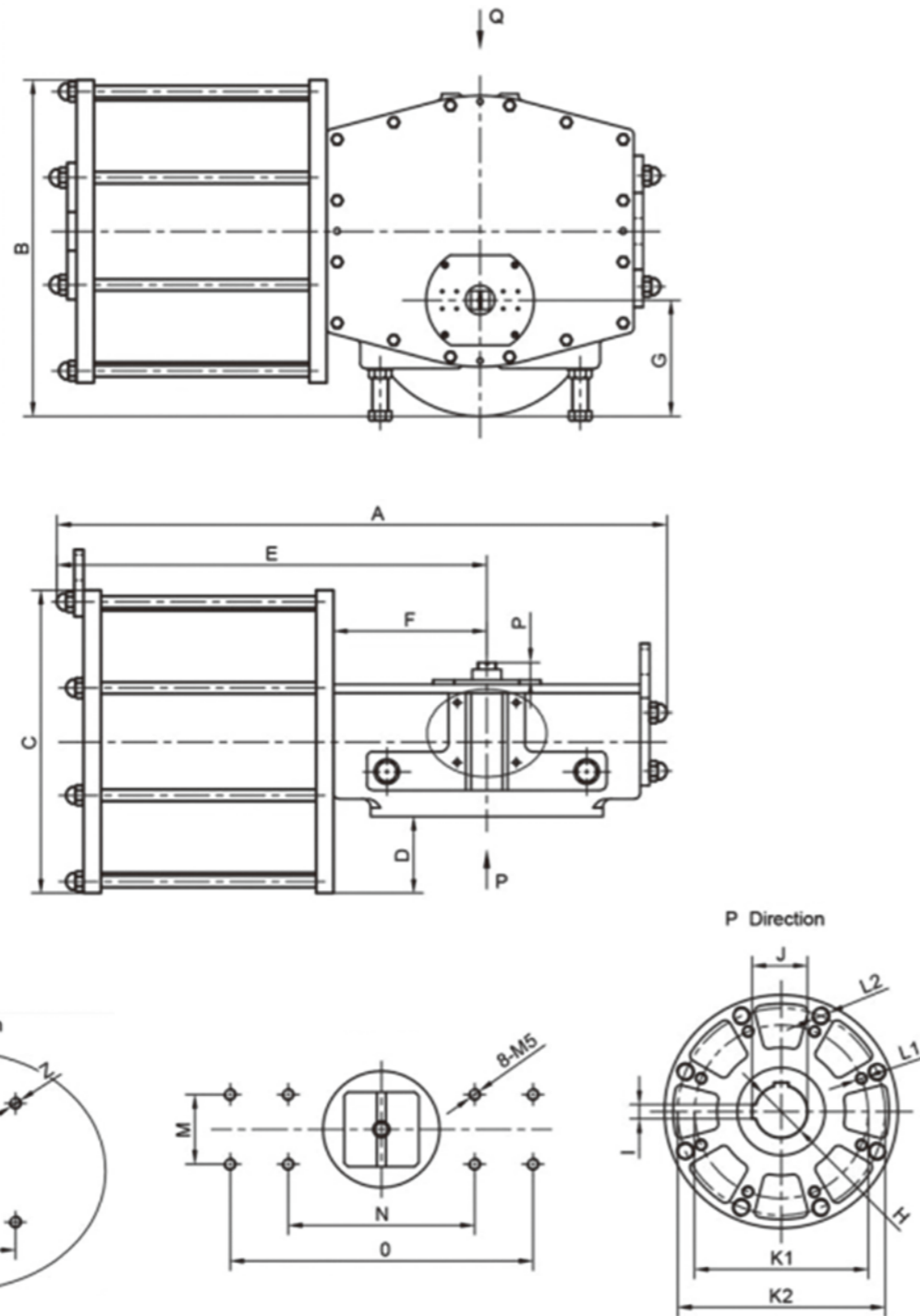
| 型号MODEL | 4.0BAR | | | 5.0BAR | | |
|-------------|--------|-------|--------|--------|--------|--------|
| | 0° | R | 90° | 0° | R | 90° |
| UP6422Y3500 | 34757 | 17189 | 24220 | 43446 | 21486 | 30274 |
| UP6422Y3600 | 43386 | 21457 | 30233 | 54332 | 26821 | 37791 |
| UP6922Y3600 | 50546 | 24998 | 35222 | 63182 | 31247 | 44027 |
| UP7422Y3600 | 58252 | 28809 | 40592 | 72815 | 36011 | 50740 |
| UP6922Y3700 | 67035 | 33104 | 46696 | 83793 | 41380 | 58370 |
| UP7422Y3700 | 77255 | 38151 | 53974 | 96568 | 47688 | 67467 |
| UP8122Y3700 | 92781 | 45818 | 65028 | 115976 | 57272 | 81285 |
| UP8122Y3800 | 123710 | 61092 | 86416 | 154637 | 76365 | 108020 |
| UP9122Y3800 | 156571 | 77319 | 109812 | 195713 | 96648 | 137265 |
| UP9922Y3800 | 193297 | 95456 | 135962 | 241621 | 119320 | 169952 |

| 型号MODEL | 6.0BAR | | | 8.0BAR | | |
|-------------|--------|--------|--------|--------|--------|--------|
| | 0° | R | 90° | 0° | R | 90° |
| UP2122J3200 | 2754 | 1362 | 1919 | 3672 | 1816 | 2559 |
| UP2622J3200 | 4303 | 2128 | 2998 | 5737 | 2837 | 3998 |
| UP3122J3200 | 6196 | 3064 | 4318 | 8262 | 4086 | 5757 |
| UP3622J3200 | 8434 | 4171 | 5877 | 11245 | 5561 | 7836 |
| UP3622J3300 | 10209 | 5049 | 7114 | 13613 | 6732 | 9486 |
| UP3922J3300 | 12035 | 5952 | 8386 | 16046 | 7936 | 11182 |
| UP4422J3300 | 15410 | 7621 | 10738 | 20547 | 10162 | 14318 |
| UP4422Y3400 | 19765 | 9775 | 13773 | 26353 | 13033 | 18364 |
| UP4922Y3400 | 24629 | 12180 | 17162 | 32838 | 16241 | 22883 |
| UP5422Y3400 | 30027 | 14850 | 20924 | 40036 | 19800 | 27899 |
| UP5422Y3500 | 36898 | 18248 | 25712 | 49197 | 24331 | 34282 |
| UP5922Y3500 | 44188 | 21854 | 30792 | 58917 | 29138 | 41055 |
| UP6422Y3500 | 52135 | 25784 | 36329 | 69513 | 31378 | 54462 |
| UP6422Y3600 | 65079 | 32185 | 45349 | 86771 | 42914 | 60465 |
| UP6922Y3600 | 75818 | 37497 | 52833 | 101091 | 49996 | 70444 |
| UP7422Y3600 | 87378 | 43214 | 60888 | 116504 | 57618 | 81184 |
| UP6922Y3700 | 100552 | 49656 | 70044 | 134070 | 66208 | 93392 |
| UP7422Y3700 | 115882 | 57226 | 80961 | 154510 | 76302 | 107948 |
| UP8122Y3700 | 139171 | 68727 | 97542 | 185562 | 91636 | 130056 |
| UP8122Y3800 | 185565 | 91638 | 129624 | 247420 | 122184 | 172832 |
| UP9122Y3800 | 234856 | 115978 | 164718 | 313142 | 154638 | 219624 |
| UP9922Y3800 | 289945 | 143184 | 203943 | 386594 | 190912 | 271924 |

倾斜单作用

| 型号MODEL | | 弹簧扭矩Spring Torque | | | 气源压力Air Torque : Air Supply Pressure | | | | | | | | | | | |
|-------------|---|-------------------|-------|--------|--------------------------------------|-------|-------|--------|-------|-------|--------|-------|--------|--------|--------|--------|
| | | | | | 4.0BAR | | | 5.0BAR | | | 6.0BAR | | | 8.0BAR | | |
| | | 0° | R | 90° | 0° | R | 90° | 0° | R | 90° | 0° | R | 90° | 0° | R | 90° |
| UP2121J3200 | A | 670 | 452 | 808 | 1166 | 456 | 471 | 1625 | 683 | 791 | 2084 | 910 | 1111 | | | |
| | B | 876 | 591 | 1056 | | | | 1419 | 544 | 543 | 1878 | 771 | 863 | 2796 | 1225 | 1503 |
| UP2621J3200 | A | 1063 | 717 | 1282 | 1806 | 702 | 717 | 2523 | 1056 | 1217 | 3240 | 1411 | 1716 | | | |
| | B | 1396 | 942 | 1683 | | | | 2190 | 831 | 816 | 2907 | 1186 | 1315 | 4341 | 1895 | 2315 |
| UP3121J3200 | A | 1496 | 1020 | 1834 | 2635 | 1023 | 1045 | 3668 | 1534 | 1764 | 4700 | 2044 | 2484 | | | |
| | B | 2059 | 1404 | 2524 | | | | 3105 | 1150 | 1704 | 4137 | 1660 | 1794 | 6203 | 2682 | 3233 |
| UP3621J3200 | A | 1807 | 1262 | 2299 | 3816 | 1519 | 1619 | 5221 | 2214 | 2599 | 6627 | 2909 | 3578 | | | |
| | B | 2543 | 1735 | 3118 | | | | 4485 | 1741 | 1780 | 5891 | 2436 | 2759 | 8702 | 3820 | 4718 |
| UP3621J3300 | A | 2047 | 1464 | 2700 | 4759 | 1902 | 2043 | 6461 | 2744 | 3229 | 8162 | 3585 | 4414 | | | |
| | B | 3093 | 2098 | 3759 | | | | 5415 | 2110 | 2170 | 7116 | 2951 | 3355 | 10520 | 4634 | 5727 |
| UP3921J3300 | A | 2759 | 1973 | 3641 | 5264 | 1995 | 1950 | 7270 | 2987 | 3347 | 9276 | 3979 | 4745 | | | |
| | B | 3913 | 2654 | 4757 | | | | 6116 | 2306 | 2231 | 8122 | 3298 | 3629 | 12133 | 5282 | 6425 |
| UP4421J3300 | A | 3637 | 2467 | 4421 | 6636 | 2614 | 2738 | 9205 | 3884 | 4528 | 11773 | 5154 | 6317 | | | |
| | B | 5017 | 3403 | 6099 | | | | 7825 | 2948 | 2850 | 10393 | 4218 | 4639 | 15530 | 6759 | 8219 |
| UP4421Y3400 | A | 4735 | 3340 | 6118 | 8442 | 3177 | 3064 | 11736 | 4806 | 5359 | 15030 | 6435 | 7655 | | | |
| | B | 6098 | 4301 | 7878 | | | | 10373 | 3845 | 3599 | 13667 | 5474 | 5895 | 20255 | 8732 | 10486 |
| UP4921Y3400 | A | 5887 | 4152 | 7605 | 10532 | 3968 | 3836 | 14637 | 5998 | 6697 | 18742 | 8028 | 9557 | | | |
| | B | 7754 | 5469 | 10017 | | | | 12770 | 4681 | 4285 | 16875 | 6711 | 7145 | 25084 | 10772 | 12866 |
| UP5421Y3400 | A | 7035 | 4962 | 9088 | 12983 | 4938 | 4861 | 17988 | 7413 | 8349 | 22992 | 9888 | 11836 | | | |
| | B | 9217 | 6502 | 11908 | | | | 15806 | 5873 | 5529 | 20810 | 8348 | 9016 | 30819 | 13298 | 15991 |
| UP5421Y3500 | A | 8854 | 6189 | 11286 | 15744 | 5976 | 5855 | 21894 | 9018 | 10140 | 28044 | 12059 | 14426 | | | |
| | B | 11770 | 8235 | 15018 | | | | 18978 | 6972 | 6408 | 25128 | 10013 | 10694 | 37427 | 16096 | 19264 |
| UP5921Y3500 | A | 10195 | 7133 | 13008 | 19264 | 7436 | 7520 | 26628 | 11078 | 12652 | 33993 | 14721 | 17784 | | | |
| | B | 14355 | 10044 | 18316 | | | | 22468 | 8167 | 7344 | 29833 | 11810 | 12476 | 44562 | 19094 | 22739 |
| UP6421Y3500 | A | 12292 | 8601 | 15684 | 22465 | 8588 | 8536 | 31154 | 12885 | 14590 | 39843 | 17183 | 20645 | | | |
| | B | 16158 | 11306 | 20617 | | | | 27288 | 10180 | 9657 | 35977 | 14478 | 15712 | 53355 | 23072 | 27822 |
| UP6421Y3600 | A | 14480 | 10292 | 18928 | 28906 | 11165 | 11305 | 39752 | 16529 | 18863 | 50599 | 21893 | 26421 | | | |
| | B | 18967 | 14028 | 26335 | | | | 35265 | 12793 | 11456 | 46112 | 18157 | 19014 | 67804 | 28886 | 34130 |
| UP6921Y3600 | A | 17715 | 12591 | 23156 | 32831 | 12407 | 12066 | 45467 | 18656 | 20871 | 58103 | 24906 | 29677 | | | |
| | B | 22115 | 16357 | 30708 | | | | 41067 | 14890 | 13319 | 53703 | 21140 | 22125 | 78976 | 33639 | 39736 |
| UP7421Y3600 | A | 19992 | 14209 | 26132 | 38260 | 14600 | 14460 | 52823 | 21802 | 24608 | 67386 | 29005 | 34756 | | | |
| | B | 25029 | 18512 | 34753 | | | | 47786 | 17499 | 15987 | 62349 | 24702 | 26135 | 91475 | 39106 | 46431 |
| UP6921Y3700 | A | 23423 | 16141 | 32090 | 43612 | 16963 | 14606 | 60370 | 25239 | 26280 | 77129 | 33515 | 37954 | | | |
| | B | 29280 | 20176 | 40113 | | | | 54513 | 21204 | 18257 | 71272 | 29480 | 29931 | 104790 | 46032 | 53279 |
| UP7421Y3700 | A | 26995 | 18602 | 36982 | 50260 | 19549 | 16992 | 69573 | 29086 | 30485 | 88887 | 38624 | 43979 | | | |
| | B | 33744 | 23252 | 46229 | | | | 62824 | 24436 | 21238 | 82138 | 33974 | 34732 | 120766 | 53050 | 61719 |
| UP8121Y3700 | A | 32420 | 22340 | 44416 | 60361 | 23478 | 20612 | 83556 | 34932 | 36869 | 106751 | 46387 | 53126 | | | |
| | B | 40526 | 27925 | 55520 | | | | 75450 | 29347 | 25765 | 98645 | 40802 | 42022 | 145036 | 63711 | 74536 |
| UP8121Y3800 | A | 43228 | 29787 | 59222 | 80482 | 31305 | 27194 | 111409 | 46578 | 48798 | 142337 | 61851 | 70402 | | | |
| | B | 54035 | 37235 | 74027 | | | | 100602 | 39130 | 33933 | 131530 | 54403 | 55597 | 193385 | 84949 | 98805 |
| UP9121Y3800 | A | 54712 | 37700 | 74953 | 101859 | 39619 | 34859 | 141001 | 58948 | 62312 | 180144 | 78278 | 89765 | | | |
| | B | 68389 | 47125 | 93691 | | | | 127324 | 49523 | 43574 | 166467 | 68853 | 71027 | 244753 | 107513 | 125933 |
| UP9921Y3800 | A | 67544 | 47049 | 92534 | 125753 | 48407 | 43428 | 174077 | 72271 | 77418 | 222401 | 96135 | 111409 | | | |
| | B | 84431 | 58812 | 115668 | | | | 157190 | 60508 | 54284 | 205514 | 84372 | 88275 | 302163 | 132100 | 156256 |

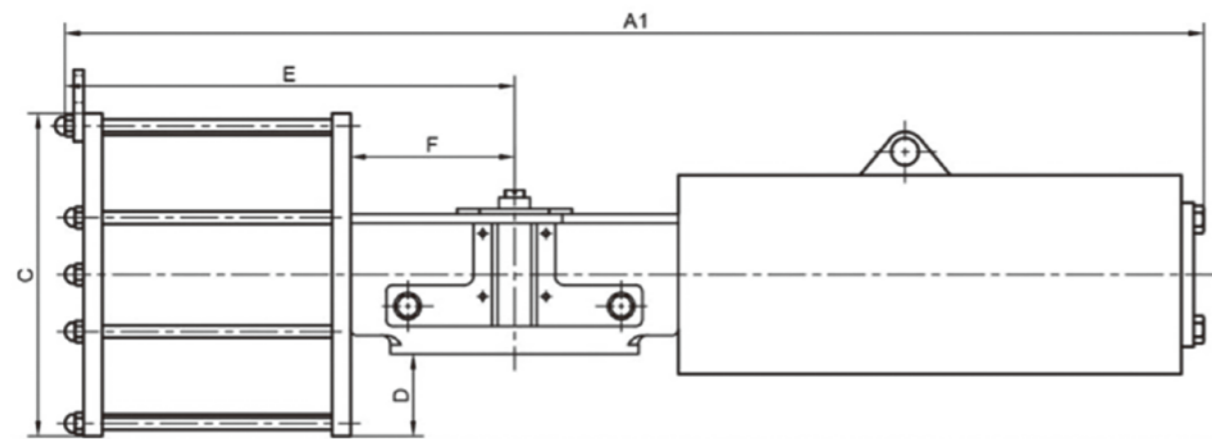
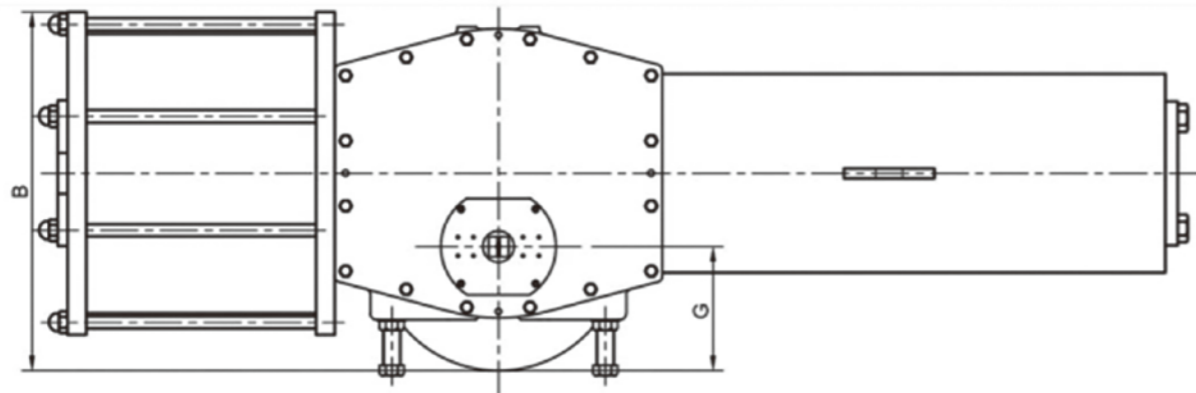
尺寸数据 / Size data



双作用/对称和倾斜的数据

| 型号MODEL | A | A1 | | B | C | D | E | F | G | H | I | J |
|-------------|------|--------|--------|------|-------|-----|------|-----|-----|------|----|-------|
| | | 4.2Bar | 5.2Bar | | | | | | | | | |
| UP2121J3200 | 720 | 1240 | 1255 | 311 | φ270 | 42 | 510 | 175 | 100 | φ50 | 14 | 53.8 |
| UP2621J3200 | 720 | 1255 | 1285 | 336 | φ320 | 67 | 510 | 175 | 100 | φ50 | 14 | 53.8 |
| UP3121J3200 | 720 | 1315 | 1325 | 361 | φ370 | 92 | 510 | 175 | 100 | φ50 | 14 | 53.8 |
| UP3621J3200 | 720 | 1355 | 1370 | 386 | φ420 | 117 | 510 | 175 | 100 | φ50 | 14 | 53.8 |
| UP3621J3300 | 840 | 1545 | 1550 | 467 | φ420 | 100 | 585 | 210 | 165 | φ80 | 20 | 84.9 |
| UP3921J3300 | 840 | 1560 | 1615 | 482 | φ450 | 115 | 585 | 210 | 165 | φ80 | 20 | 84.9 |
| UP4421J3300 | 840 | 1600 | 1665 | 507 | φ500 | 140 | 585 | 210 | 165 | φ80 | 20 | 84.9 |
| UP4421Y3400 | 1045 | 1895 | 1920 | 573 | φ510 | 127 | 735 | 264 | 200 | φ90 | 25 | 95.4 |
| UP4921Y3400 | 1045 | 1935 | 2070 | 598 | φ560 | 152 | 735 | 264 | 200 | φ90 | 25 | 95.4 |
| UP5421Y3400 | 1045 | 2045 | 1980 | 623 | φ610 | 177 | 735 | 264 | 200 | φ90 | 25 | 95.4 |
| UP5421Y3500 | 1365 | 2405 | 2475 | 680 | φ610 | 148 | 930 | 385 | 230 | φ120 | 32 | 127.4 |
| UP5921Y3500 | 1365 | 2405 | 2555 | 710 | φ670 | 178 | 930 | 385 | 230 | φ120 | 32 | 127.4 |
| UP6421Y3500 | 1365 | 2535 | 2645 | 735 | φ720 | 203 | 930 | 385 | 230 | φ120 | 32 | 127.4 |
| UP6421Y3600 | 1575 | 2980 | 3025 | 815 | φ720 | 160 | 1075 | 440 | 275 | φ150 | 36 | 158.4 |
| UP6921Y3600 | 1575 | 3030 | 3100 | 850 | φ790 | 195 | 1075 | 440 | 275 | φ150 | 36 | 158.4 |
| UP7421Y3600 | 1575 | 3110 | 3190 | 975 | φ840 | 170 | 1335 | 520 | 275 | φ190 | 45 | 200.4 |
| UP6921Y3700 | 1915 | 3490 | 3510 | 910 | φ790 | 145 | 1335 | 520 | 275 | φ190 | 45 | 200.4 |
| UP7421Y3700 | 1915 | 3520 | 3560 | 935 | φ840 | 170 | 1335 | 520 | 275 | φ190 | 45 | 200.4 |
| UP8121Y3700 | 1915 | 3565 | 3595 | 975 | φ920 | 210 | 1335 | 520 | 275 | φ190 | 45 | 200.4 |
| UP8121Y3800 | 2400 | 4250 | 4300 | 1115 | φ920 | 140 | 1680 | 650 | 335 | φ250 | 56 | 262.4 |
| UP9121Y3800 | 2400 | 4380 | 4420 | 1170 | φ1030 | 195 | 1680 | 650 | 335 | φ250 | 56 | 262.4 |
| UP9921Y3800 | 400 | 4480 | 4550 | 1220 | φ1130 | 245 | 1680 | 650 | 335 | φ250 | 56 | 262.4 |

尺寸数据 / Size data



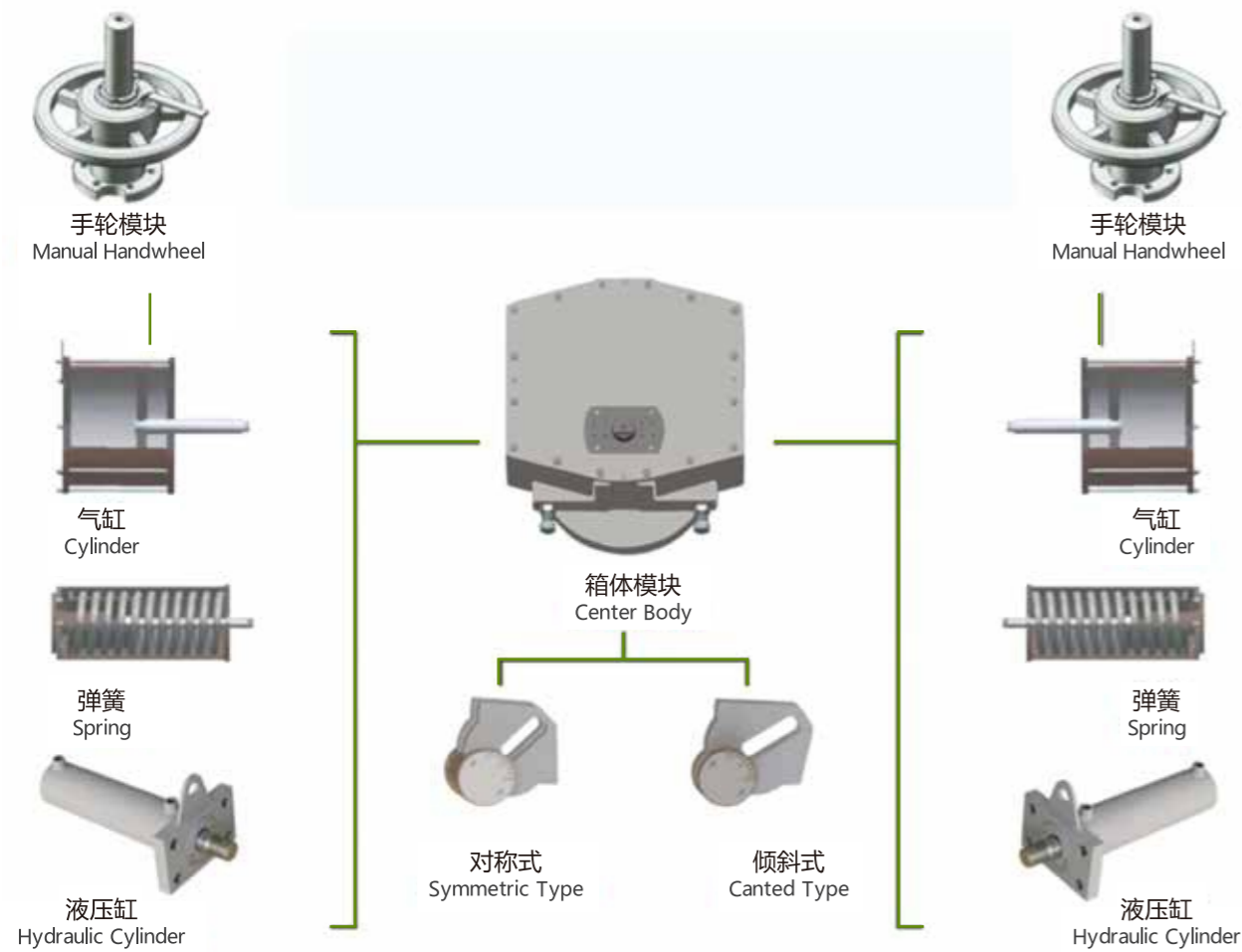
单作用/对称和倾斜的数据

| K1 | K2 | L1 | L2 | M | N | O | P | X | Y | Z |
|------|------|--------|--------|----|----|-----|----|-----|-----|-------|
| Φ165 | | 4-M20 | | 30 | 80 | 130 | 30 | 80 | 80 | 4-M8 |
| Φ165 | | 4-M20 | | 30 | 80 | 130 | 30 | 80 | 80 | 4-M8 |
| Φ165 | | 4-M20 | | 30 | 80 | 130 | 30 | 80 | 80 | 4-M8 |
| Φ165 | | 4-M20 | | 30 | 80 | 130 | 30 | 80 | 80 | 4-M10 |
| Φ254 | Φ298 | 8-M16 | 8-M20 | 30 | 80 | 130 | 30 | 80 | 80 | 4-M10 |
| Φ254 | Φ298 | 8-M16 | 8-M20 | 30 | 80 | 130 | 30 | 80 | 80 | 4-M10 |
| Φ254 | Φ298 | 8-M16 | 8-M20 | 30 | 80 | 130 | 30 | 80 | 80 | 4-M12 |
| Φ298 | Φ356 | 8-M20 | 8-M30 | 30 | 80 | 130 | 30 | 100 | 100 | 4-M12 |
| Φ298 | Φ356 | 8-M20 | 8-M30 | 30 | 80 | 130 | 30 | 100 | 100 | 4-M12 |
| Φ298 | Φ356 | 8-M20 | 8-M30 | 30 | 80 | 130 | 30 | 100 | 100 | 4-M12 |
| Φ298 | Φ356 | 8-M20 | 8-M30 | 30 | 80 | 130 | 30 | 140 | 160 | 4-M12 |
| Φ298 | Φ356 | 8-M20 | 8-M30 | 30 | 80 | 130 | 30 | 140 | 160 | 4-M12 |
| Φ298 | Φ356 | 8-M20 | 8-M30 | 30 | 80 | 130 | 30 | 140 | 160 | 4-M12 |
| Φ298 | Φ356 | 8-M20 | 8-M30 | 30 | 80 | 130 | 30 | 140 | 160 | 4-M12 |
| Φ406 | Φ483 | 8-M36 | 12-M36 | 30 | 80 | 130 | 30 | 160 | 160 | 4-M12 |
| Φ406 | Φ483 | 8-M36 | 12-M36 | 30 | 80 | 130 | 30 | 160 | 160 | 4-M12 |
| Φ406 | Φ483 | 8-M36 | 12-M36 | 30 | 80 | 130 | 30 | 160 | 160 | 4-M12 |
| Φ406 | Φ483 | 8-M36 | 12-M36 | 30 | 80 | 130 | 30 | 180 | 180 | 4-M16 |
| Φ406 | Φ483 | 8-M36 | 12-M36 | 30 | 80 | 130 | 30 | 180 | 180 | 4-M16 |
| Φ406 | Φ483 | 8-M36 | 12-M36 | 30 | 80 | 130 | 30 | 180 | 180 | 4-M16 |
| Φ483 | Φ603 | 12-M36 | 20-M36 | 30 | 80 | 130 | 30 | 200 | 200 | 4-M16 |
| Φ483 | Φ603 | 12-M36 | 20-M36 | 30 | 80 | 130 | 30 | 200 | 200 | 4-M16 |
| Φ483 | Φ603 | 12-M36 | 20-M36 | 30 | 80 | 130 | 30 | 200 | 200 | 4-M16 |

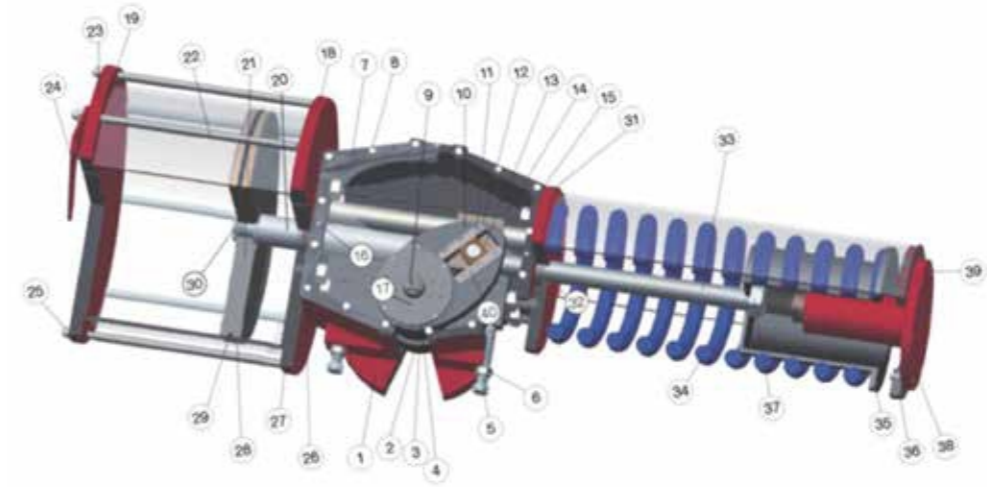
模块化设计 / Modular Design

能够针对不同的使用需求，选择组合动力。
极大地提升了模块化的灵活性，减少维修与备货成本。

For different application requirements.
Select combination power.
Enhance flexibility modular, reduce maintenance and spare parts.



结构材质 / Structure of the material



| 序号 | 名称 | 材质 | 序号 | 名称 | 材质 | 序号 | 名称 | 材质 |
|----|------|-------------|----|--------|---------|----|---------|---------|
| 1 | 箱体 | 球墨铸铁/铝合金/锻钢 | 15 | 连接螺栓 | 合金钢 | 29 | 活塞O型圈 | 丁晴橡胶 |
| 2 | 下轴套 | 低碳钢+合金钢 | 16 | 销子 | 合金钢 | 30 | 活塞并紧螺母 | 合金钢 |
| 3 | 密封圈 | 丁晴橡胶 | 17 | 安装板 | 合金钢 | 31 | 弹簧箱前盖 | 合金钢 |
| 4 | 上轴套 | 低碳钢+合金钢 | 18 | 前缸盖 | 合金钢/铝合金 | 32 | 弹簧杆导套 | 合金钢 |
| 5 | 调节螺栓 | 合金钢 | 19 | 缸盖O型圈 | 丁晴橡胶 | 33 | 弹簧杆 | 合金黄铜 |
| 6 | 调节螺母 | 合金钢 | 20 | 活塞杆 | 合金钢 | 34 | 弹簧 | 弹簧钢 |
| 7 | 箱盖 | 球墨铸铁/铝合金/锻钢 | 21 | 活塞 | 合金钢/铝合金 | 35 | 弹簧导套 | 合金钢 |
| 8 | 箱盖螺栓 | 不锈钢 | 22 | 气缸拉杆 | 合金钢/不锈钢 | 36 | 弹簧筒后盖 | 合金钢 |
| 9 | 指示器 | 合金钢 | 23 | 后缸盖 | 合金钢/铝合金 | 37 | 弹簧杆锁紧螺母 | 合金钢 |
| 10 | 拨叉 | 球墨铸铁/锻钢 | 24 | 起吊板 | 合金钢 | 38 | 液压油缸 | 合金钢 |
| 11 | 轴挡 | 合金钢 | 25 | 栏杆螺母 | 合金钢/不锈钢 | 39 | 封盖螺栓 | 合金钢/不锈钢 |
| 12 | 轴销 | 合金钢 | 26 | 活塞杆衬套 | 低碳钢+合金钢 | 40 | 轨道模块 | 球墨铸铁 |
| 13 | 滑块 | 黄金黄铜 | 27 | 前缸盖O型圈 | 丁晴橡胶 | | | |
| 14 | 活灵 | 合金钢 | 28 | 支撑圈 | 青铜合成材料 | | | |

| 缸径尺寸mm | 缸径代号 |
|--------|------|
| 32 | 03 |
| 40 | 04 |
| 52 | 05 |
| 63 | 06 |
| 75 | 07 |
| 83 | 08 |
| 92 | 09 |
| 100 | 10 |
| 105 | 11 |
| 125 | 13 |
| 140 | 15 |
| 160 | 17 |
| 190 | 20 |
| 200 | 21 |
| 210 | 22 |
| 240 | 25 |
| 250 | 26 |
| 260 | 27 |
| 270 | 28 |
| 300 | 31 |
| 320 | 33 |

| 缸径尺寸mm | 缸径代号 |
|--------|------|
| 330 | 34 |
| 350 | 36 |
| 380 | 39 |
| 400 | 41 |
| 420 | 43 |
| 430 | 44 |
| 480 | 49 |
| 500 | 51 |
| 520 | 53 |
| 530 | 54 |
| 580 | 59 |
| 600 | 61 |
| 630 | 64 |
| 650 | 66 |
| 680 | 69 |
| 730 | 74 |
| 800 | 81 |
| 850 | 86 |
| 900 | 91 |
| 1000 | 99 |

Industrial^{IT} 字标以及所有被提及的、具有XXXXXX^{IT}形式的产品名称均为ABB的注册商标或待定商标。

ABB在世界100多个国家提供销售及客户支持服务。

www.abb.com



ABB (中国) 有限公司
ABB (China) Ltd.

地址:上海市外高桥保税区富特东三路27号厂房
邮编:200131
电话:021-61056666
传真:021-61056992
电子邮箱:China.instrumentation@cc-abb.com
网址:www.abb.com.cn

地址:北京市朝阳区酒仙桥路10号恒通广场B6-3
邮编:100016
电话:010-84566688
传真:010-64371913

地址:广州市珠江新城临江大道3号发展中心大厦22楼
邮编:510623
电话:020-37850182/37850185/37850186
传真:020-37850609

公司承诺不断提高产品质量,因此保留在不经通知的情况下对此处所含信息进行修改的权力。

ABB 2012

10/18-0.22CN